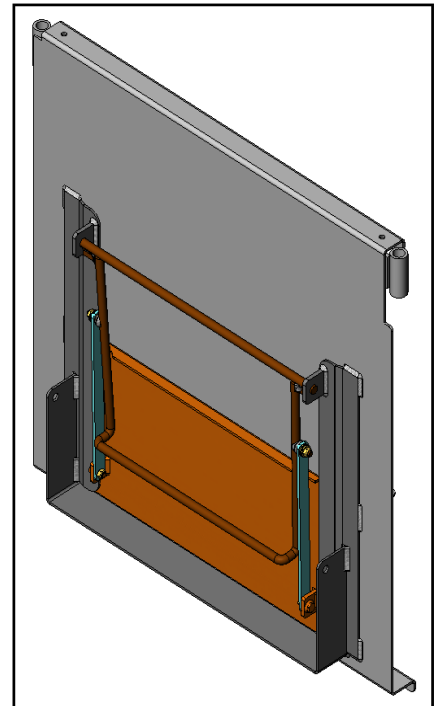


Butler Door #1

BDI-9264



Butler Bin #1 requires a B1 Insert (BDI-9264)

Butler Bin 2



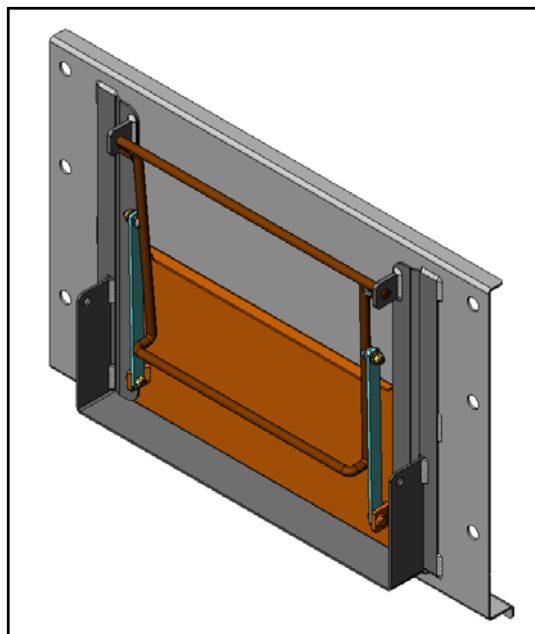
Butler Bin #2 requires a B2 Insert (BDI-9262)

Butler Door #3

BDI-9263



Butler Bin 3



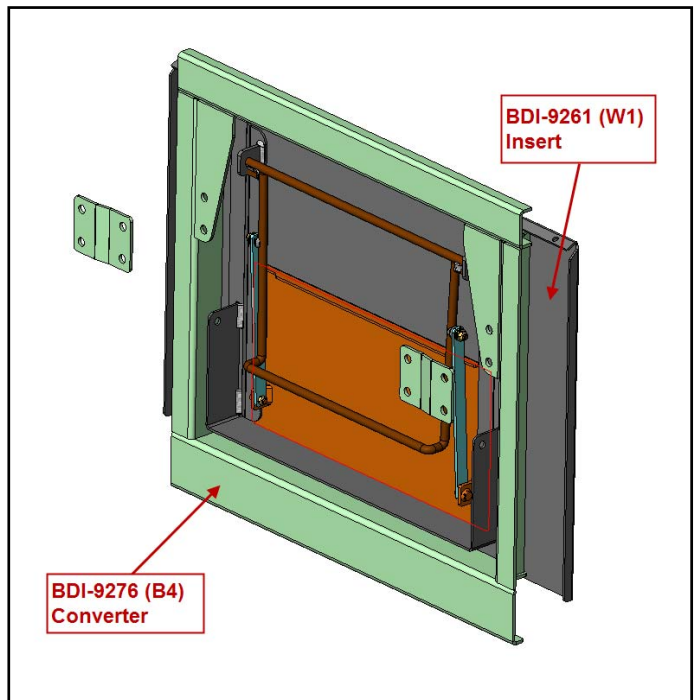
Butler Bin #3 requires a B3 Insert (BDI-9263)

Butler Door #4

BDI-9276 + BDI-9261



Bolt Package:
4 - 1/2 X 1" Hex Bolts
4 - 1/2" Regular Nuts



Butler Door #4 Package includes a B4 Converter and a W1 Insert.
(The converter slides in door channel and insert hangs on converter.)