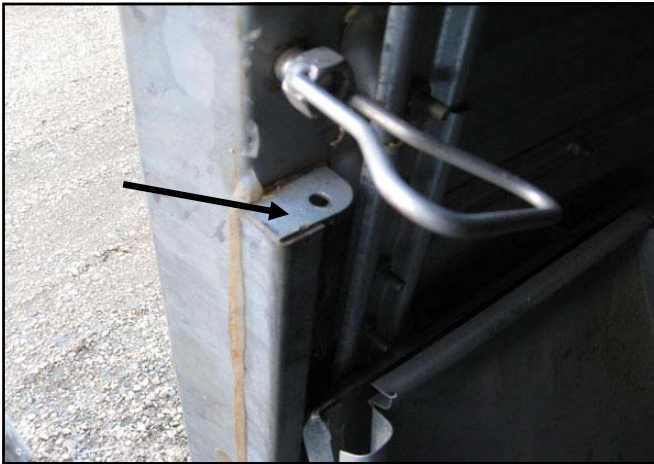


Twister Door #1

BDI-9261

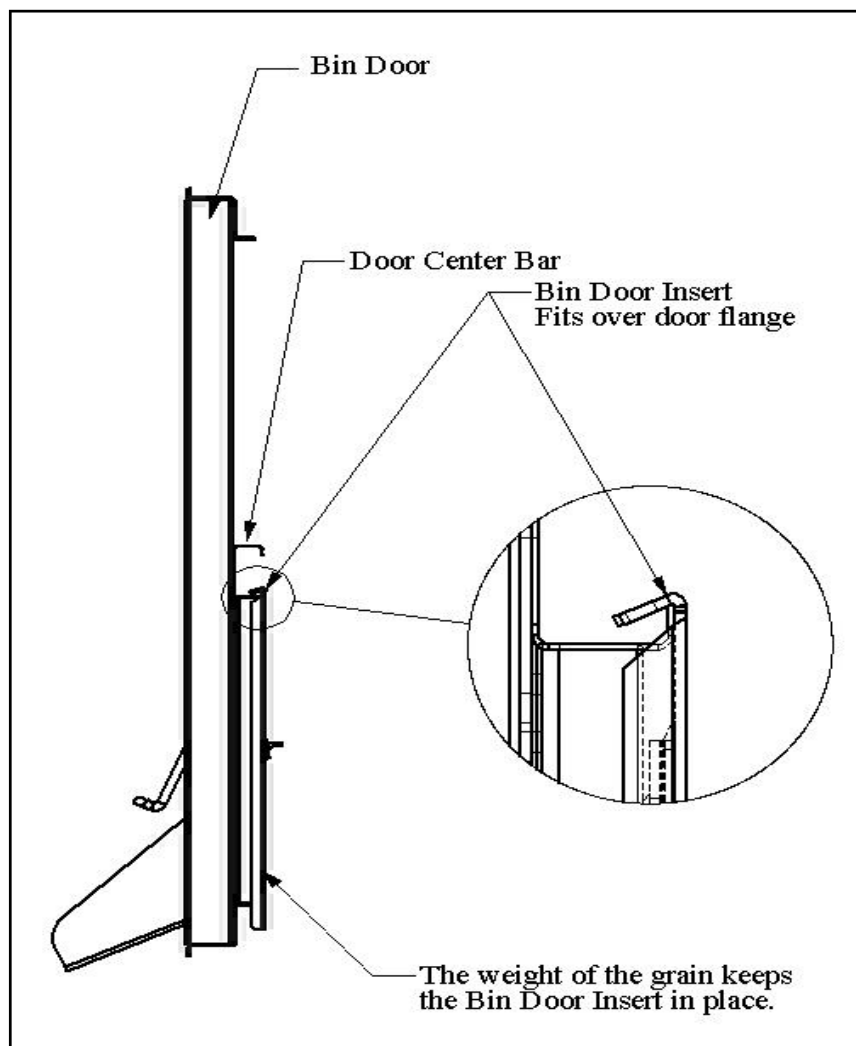
Twister bin door #1 has a metal tab with a hole for the side panel protruding from the door frame. Before installing the insert the metal tab will need to be cut and bent down as shown. A “zip” disc on a small angle grinder works very well to make the cut.



Metal Tab With Hole



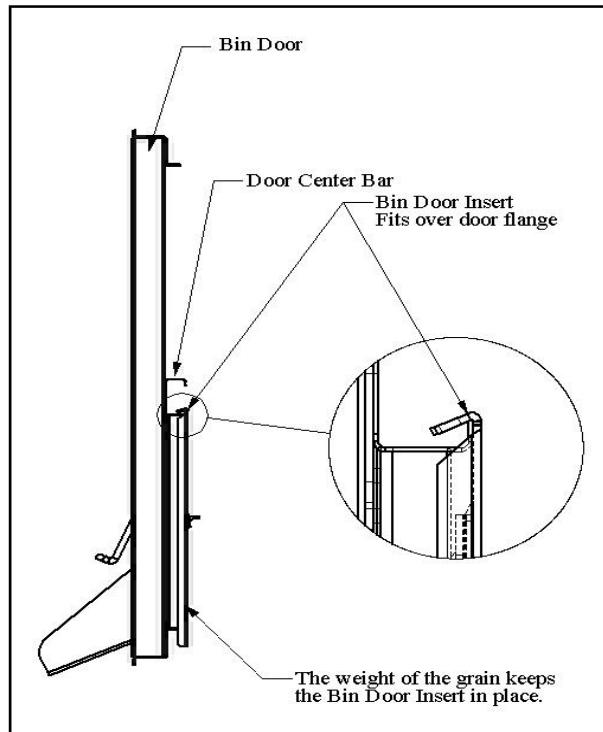
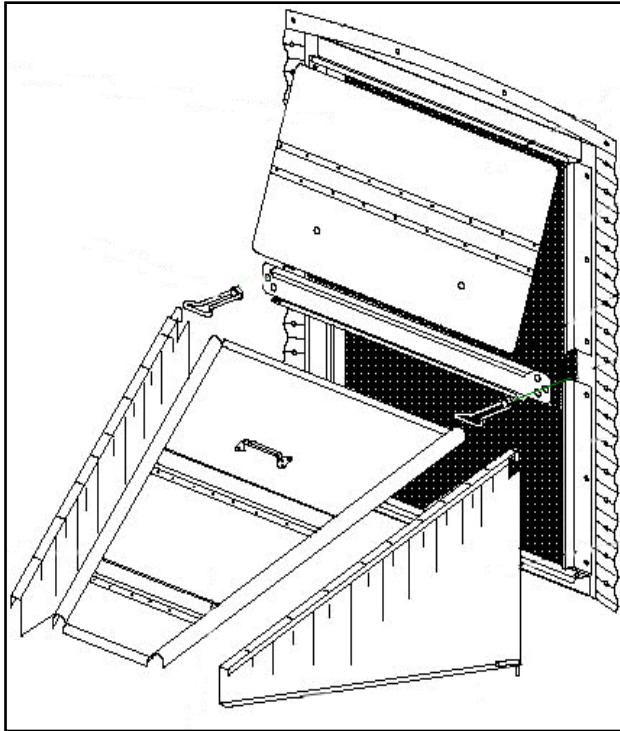
Metal Tab Cut And Bent Down



Twister Door #2

BDI-9261

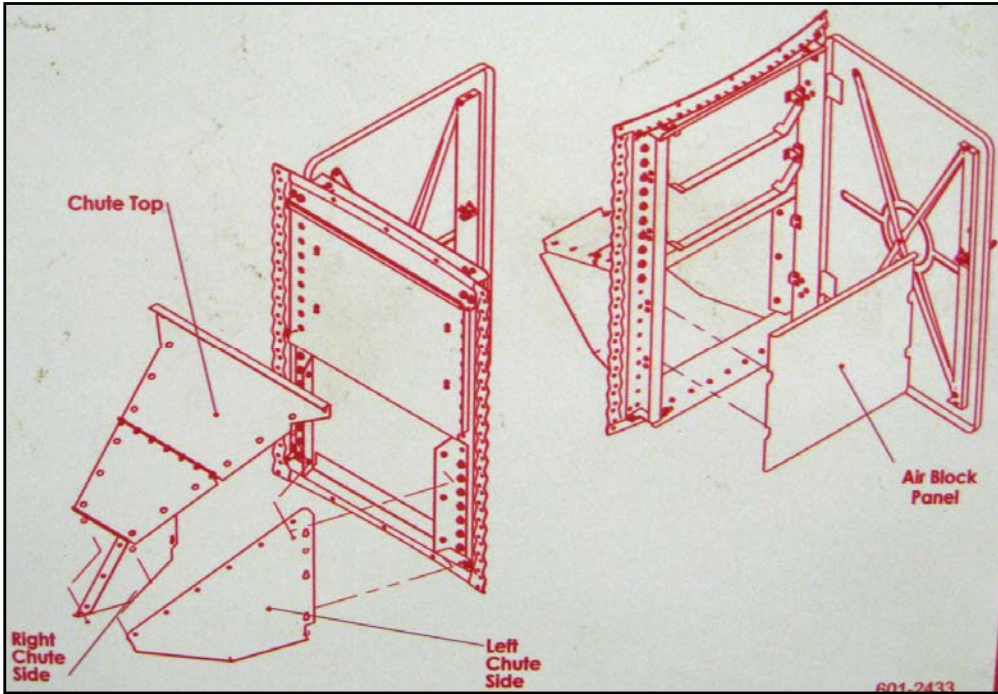
The second door does not require any modification to the door.



Twister Door #3

BDI-9281

The third Twister door has no center bar brace and has bolt on chute sides which will have to be removed. The top panel is hinged and swings in to open.



- Bolt Package**
- 14 - 1/2" Regular Nuts
 - 14 - 1/2" Lock Washers
 - 2 - 1/2" Jam Nuts
 - 2 - 1/2" Flat Washers (Wide)
 - 2 - 1/2" Wing Nuts