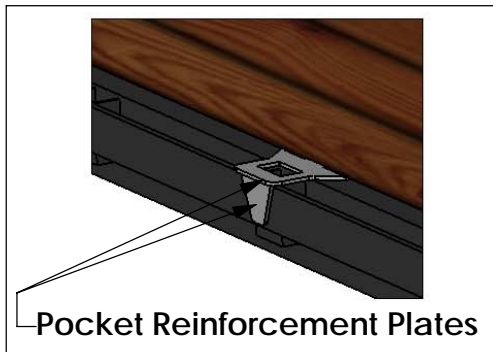
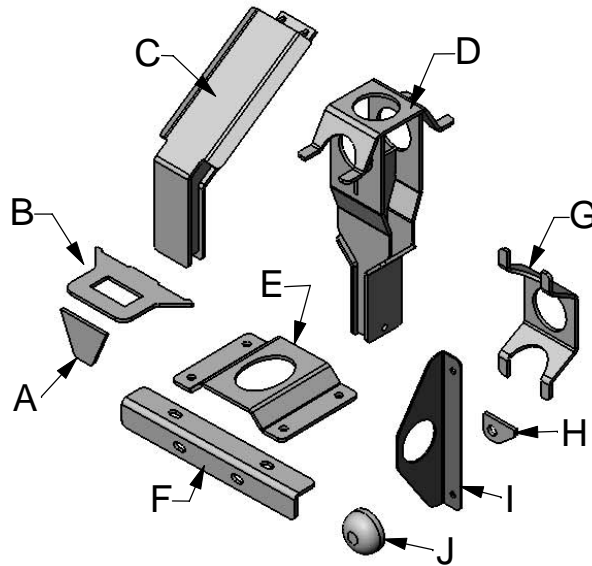
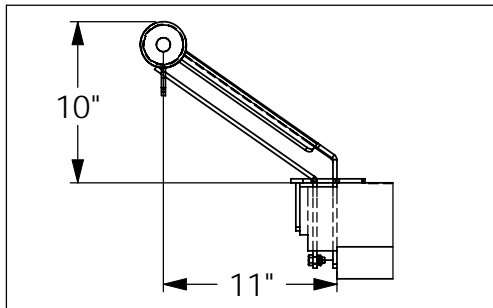


Haukaas Bale Rack Kit

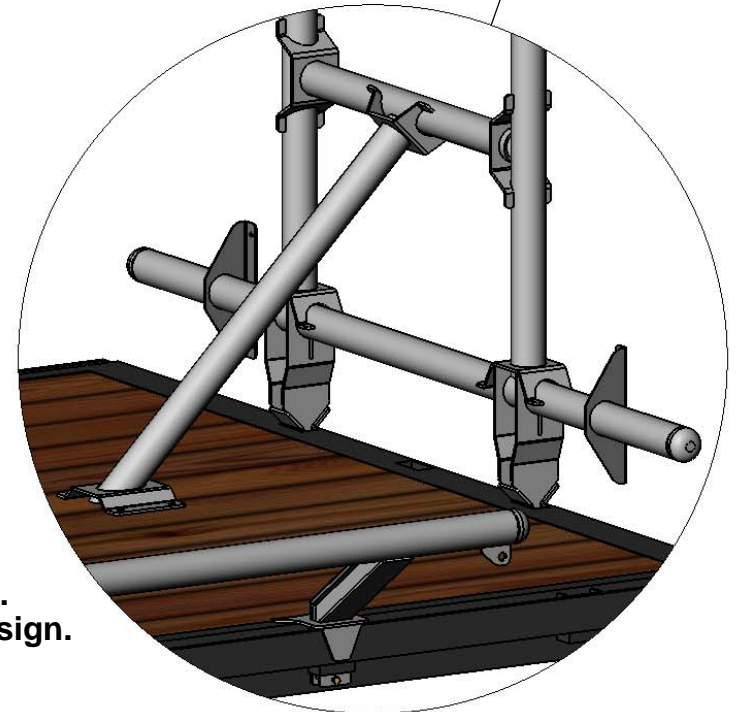
For hauling large round bales "Pipe Style".
We did the hard part... We left the easy part for you!



Pocket Reinforcement Plates



Kit requires 2-7/8" OD pipe and some welding.
Easy to weld - extremely rugged - no-snag design.
Stake size 3"x 1-1/2" - sign and flag holders.



- | | |
|----------------------|----------------------|
| A: Pocket Side Plate | F: Under Floor Plate |
| B: Pocket Top Plate | G: T-Connector Plate |
| C: Side Stake | H: Flag Plate |
| D: End Stake | I: Sign Plate |
| E: Floor Plate | J: End Cap |

Haukaas Mfg. Ltd.
Mortlach, SK. Canada
(306) 355-2718
www.haukaas.com

HAUKAAS

www.haukaas.com